



WWW.BARRYIND.COM

# RE2512CT-XXXX\*JN-98



## BeO

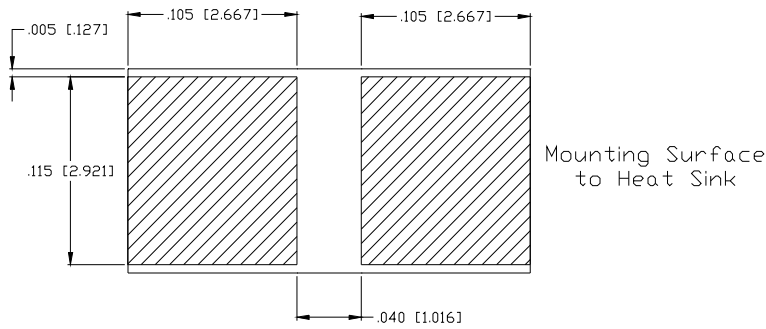
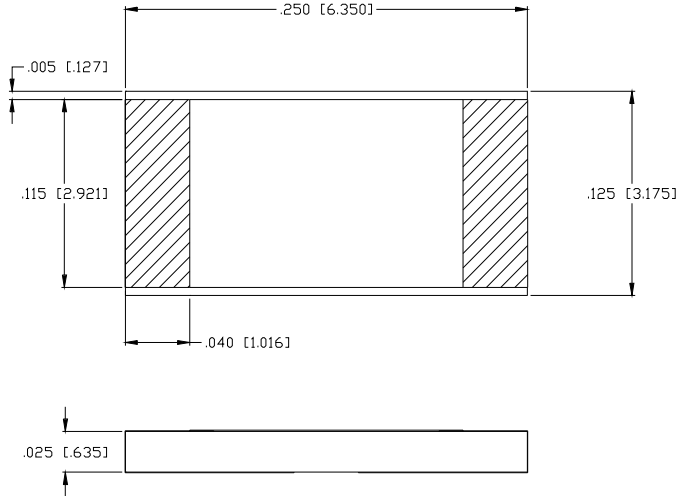
## SURFACE MOUNT POWER RESISTOR

### Features:

- ◆ BeO Material
- ◆ 30 Watt Input Power
- ◆ CT = Matte Tin over Nickel over Silver
- ◆ Surface Mountable

### General Description:

The RE2512CT-XXXX\*JN-98 is a standard (.5 - 1Mohm available) surface mountable BeO power chip resistor. It has an input power rating of 30 watts, while maintaining a constant mounting surface temperature of 100°C. \*See below for ordering options.

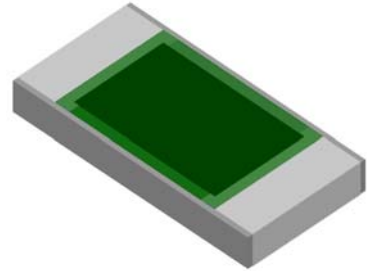


Dimensions in inches [mm]  
Tolerance  $\pm .005$  [.127]  
unless otherwise stated

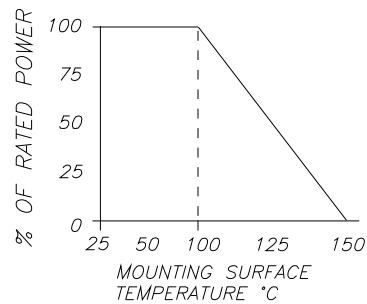
\* XXXX

Ohms

- 0.5...R500
- 1 .....1R00
- 10.....10R0
- 50.....50R0
- 100...1000
- 150...1500
- 1K.....1001
- 10K...1002
- 100K.1003
- 470K.4703
- 1M....1004



### DERATING CURVE:



Parameter	Min.	Typ.	Max.	Units
Input Power			30	Watts
Resistance		+/- 5%		Ohms
Mounting Surface Temperature			100	°C

Barry Industries reserves the right to change part number and or process without notification.

Barry Industries, Inc., 60 Walton St., Attleboro, MA 02703 T: 508-226-3350 F: 508-226-3317 E-mail: ABSales@Vishay.com  
Barry Industries maintains an ISO 9001 Certified Quality Management System

Origination Date	Revision Date	Rev.
07/07/10	07/07/10	-